



technische import

Productinformatie



FRATELLI PETTINAROLI

BAFA.NL



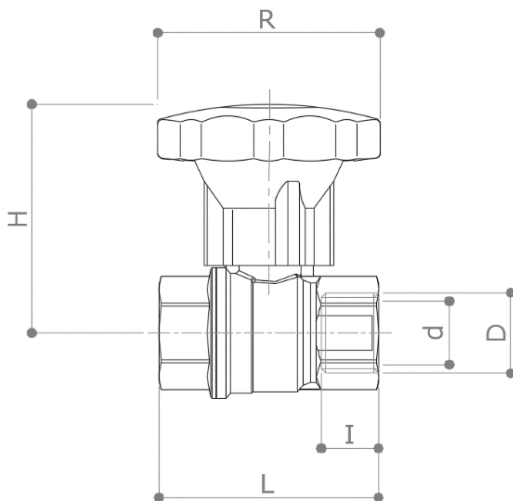
DESCRIPTION

53

F x F heavy duty full-flow ball valve with reducer (gear handle).

Conform to **EN 13828**

DIMENSIONS



D	¼"	3/8"	½"	¾"	1"	1 ¼"	1 ½"	2"
d	10	10	15	20	25	32	40	50
H	63	63	66	72	78	83	114	121
I	11.5	12	17	18	21.5	23.5	23.5	28
L	46	47	62	69	84	96	106	127
R	70	70	70	70	70	70	110	110
Weight [g]	200	180	260	380	660	980	1400	2250

Dimensions in **mm**

All threads are conform to ISO 7 or ISO 228 standards

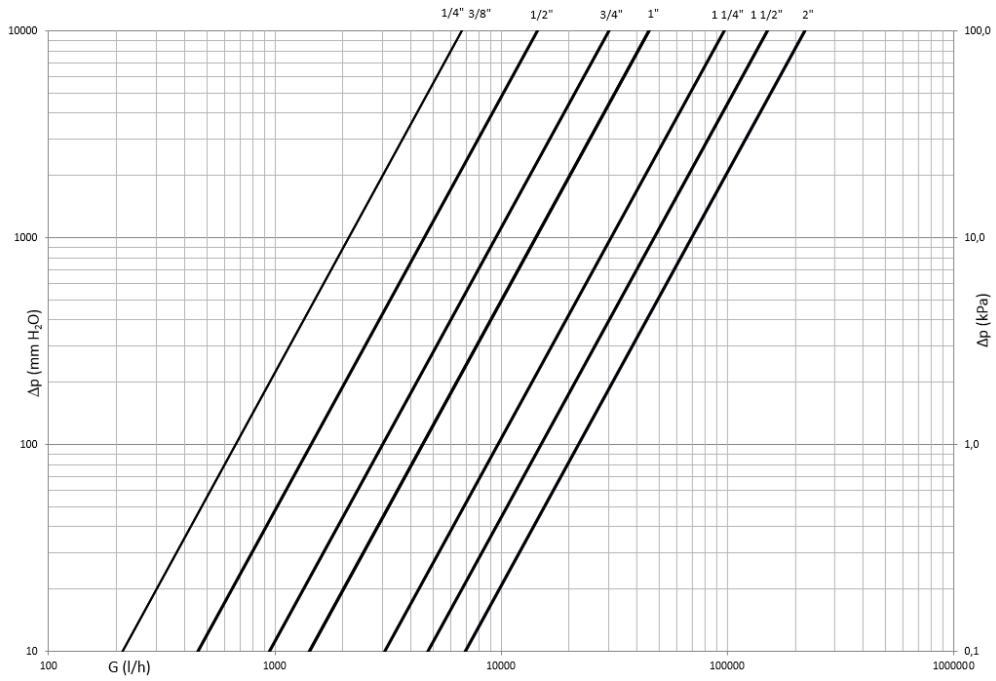
MATERIALS

Body	CW617N (EN 12165) CuZn40Pb2
Ball	CW617N (EN 12165) CuZn40Pb2 Diamond polished and chrome plated
Stem	CW614N (EN 12164) CuZn39Pb3
Stuffing box	CW614N (EN 12164) CuZn39Pb3 Adjustable
Seat	2 x PTFE + 1 x PTFE on the stem
O-Rings	2 x FKM
Lever	Nylon fiber

APPROVALS

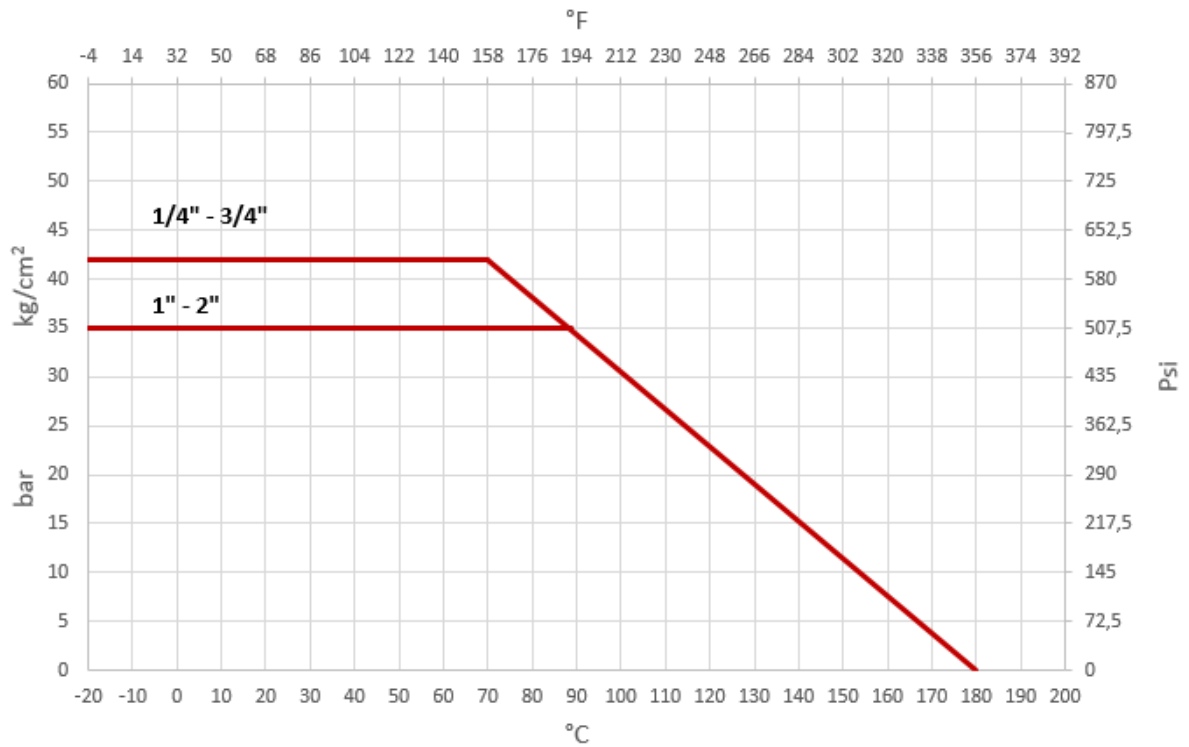


PRESSURE DROP DIAGRAM



Dim.	1/4"	3/8"	1/2"	3/4"	1"	1 1/4"	1 1/2"	2"
Kv	6.6	6.7	14.5	30	45	97	150	220
PN	42	42	42	42	35	35	35	35

TEMPERATURE / PRESSURE DIAGRAM



RECOMMENDED WORKING TEMPERATURE/PRESSURE LIMITS

- 30 bar – 100°C – non shock
- 10 bar – 150°C – non shock



technische import

Nijverheidsweg 11
7005 AS Doetinchem
T. +31 (0)314-344342
E. info@bafa.nl

BAFA.NL